

## Neo-Dyn® Series 132T Temperature Switch/Internal Adjustment

Compact, adjustable, direct mount temperature switch featuring the efficient Nega-Rate® Belleville disc spring for set point stability and vibration resistance.

### Operating Temperature Data

Adjustable Range	Adjustable Set Point Range		Deadband† (approx) Bottom/Top		Proof Temperature	
	Increasing °F	Decreasing °F	°F	°C	°F	°C
B	-50 to +30	-69 to +26	19/4	11 / 2	250	121
D	+30 to +125	+7 to +121	23/4	13 / 2	300	149
F	+95 to +200	+70 to +196	25/4	14 / 2	400	204
H	+115 to +230	+89 to +224	26/6	14 / 3	400	204
J	+175 to +300	+146 to +294	29/6	16 / 3	500	260
L	+260 to +360	+236 to +356	24/4	13 / 2	500	260
N	+290 to +395	+263 to +391	27/4	15 / 2	500	260

†Deadband decreases as the adjustable set point is increased. For narrow deadband select set point in upper half of adjustable range.

### Standard Specifications

#### Electrical

Snap action electrical switch recognized by Underwriters' Laboratories, Inc. and CSA International

#### Electrical Connection

1/2 NPT male conduit connection with PVC insulated 18 AWG, 18" long leads

#### Process Connection

1/2 NPT Male Direct mount

#### System Pressure

1500 psig maximum

#### Proof Pressure

2250 psig

#### Adjustment

Internal, slotted adjustment nut with range scale

#### Temperature Range

Ambient: -40°F to +180°F  
(-40°C to +82°C)

#### Shipping Weight

Approximately 2.5 pounds



Order Miscellaneous Option "D"

### Ordering Sequence — Select desired option for each category

#### OPTIONS

##### Wetted Material

**4** 300 Series stainless steel port and probe assembly, Teflon seal

##### Adjustable Range

<b>B</b>	-69°F dec. to +30°F inc.	(-56°C dec. to -1°C inc.)
<b>D</b>	+7°F dec. to +125°F inc.	(-14°C dec. to 52°C inc.)
<b>F</b>	+70°F dec. to +200°F inc.	(21°C dec. to 93°C inc.)
<b>H</b>	+89°F dec. to +230°F inc.	(32°C dec. to 110°C inc.)
<b>J</b>	+146°F dec. to +300°F inc.	(63°C dec. to 149°C inc.)
<b>L</b>	+236°F dec. to +360°F inc.	(113°C dec. to 182°C inc.)
<b>N</b>	+263°F dec. to +395°F inc.	(128°C dec. to 202°C inc.)

##### Electrical Form

**C** 11 amp, 1/4 hp at 125 or 250 VAC; 5 amp resistive, 3 amp inductive at 28 VDC; .5 amp resistive at 125 VDC

**CC** 11 amp, 1/4 hp at 125 or 250 VAC; 5 amp resistive, 3 amp inductive at 28 VDC; .5 amp resistive at 125 VDC

##### Enclosure

**3** Meets or exceeds the requirements of NEMA Type 3, 3R, 3S, 4, 4X and 13

##### Miscellaneous

- A** Epoxy paint exterior — extra protection for severe environments
- D** SIL approval and marking, per IEC61508 (includes FMEA report)
- I** 3/4 NPT conduit box with terminal strip
- J** Annealed stainless steel port screws for H<sub>2</sub>S environments
- M** Gold electrical contacts for extremely low current applications
- R** 72" Electrical free leads
- X** CE Mark

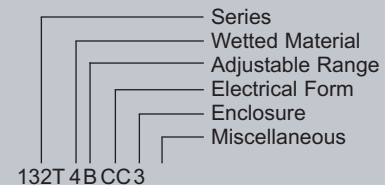
##### Special (Consult representative or factory)

- Thermowells
- Non-catalog adjustable range and/or set point and deadband
- Non-standard probe lengths

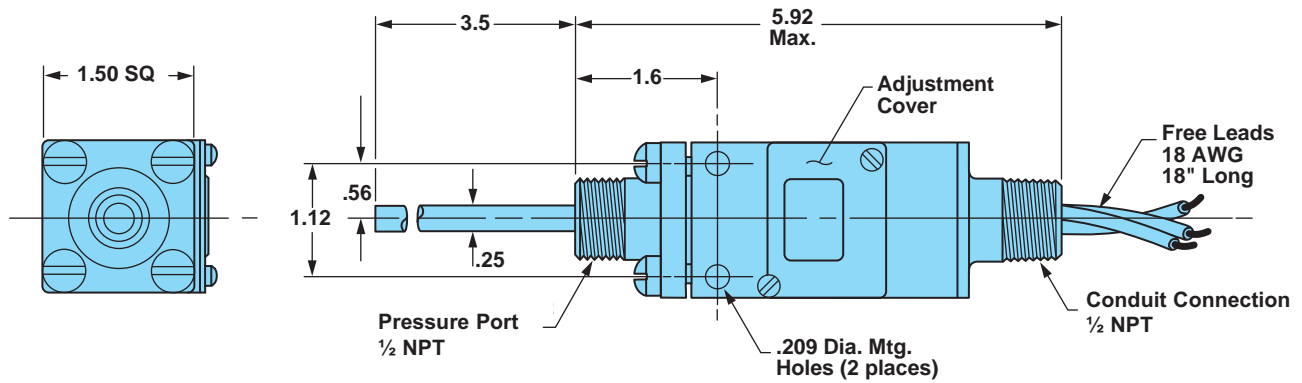
### Ordering Procedure

- When factory presetting is desired, stipulate set point, increasing or decreasing
- Insert available option letter designation as required

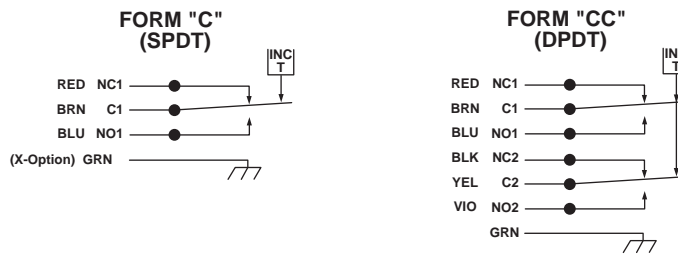
### Example



Envelope Dimensions



Electrical Form



Basic Principles of Design

